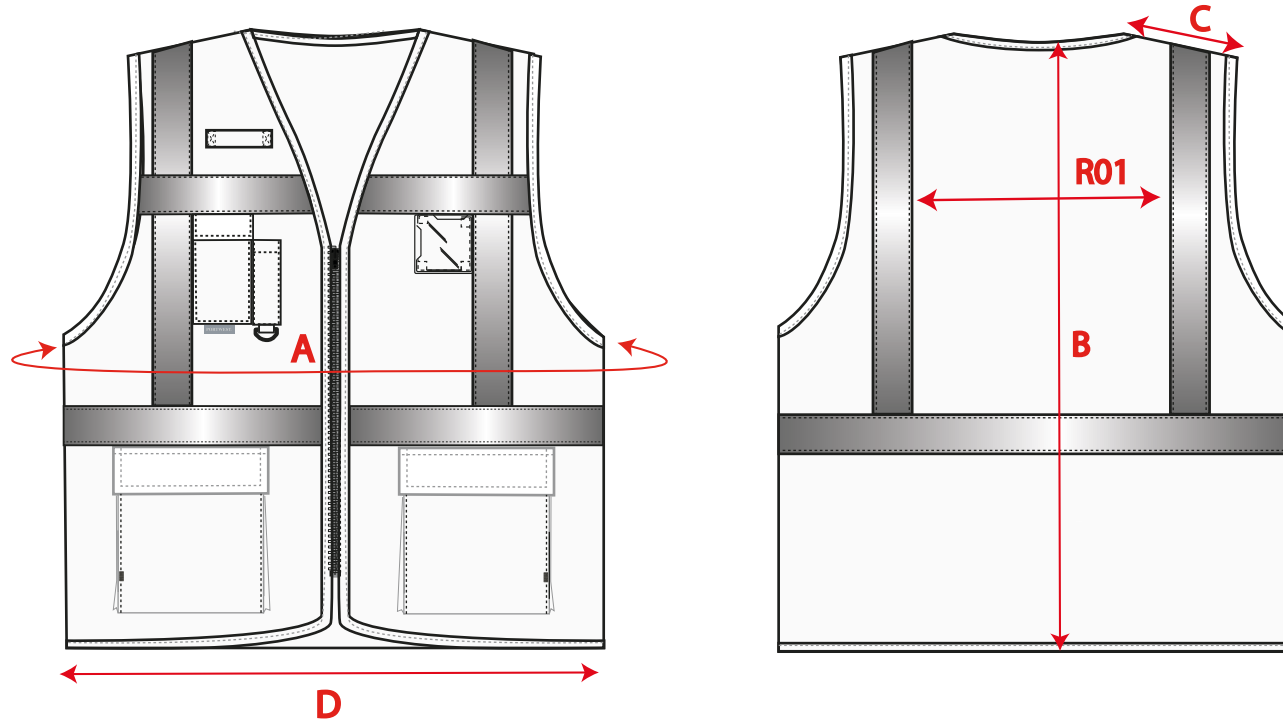


STYLE NO: C276

DESCRIPTION: Two Tone Hi-Vis Executive Vest

FABRIC: 100% Polyester

COLOUR:



Measurements in cm:								
SIZE AREA		S	M	L	XL	XXL	3XL	Tol
To fit chest size		92-96	100-104	108-112	116-124	128-132	136-140	Plus only
Garment Chest	A	104	112	120	132	140	148	1
C. Back Length	B	75	75	75	75	75	75	0.5
Shoulder	C	15.5	16.5	17.5	18.5	19.5	20.5	0.5
Distance between reflective tape	R01	29	31	33	35	37	39	0.5